



宁波自信车业有限公司

NingBo ZIXIN Bicycle Industry Co., Ltd.

Address: No.38 BANGANG ROAD LUOTUO INDUSTRY ZONE, ZHENHAI DISTRICT,

NINGBO, CHINA . Zip: 315202

Tel: 86-15869335515

Fax: 86-574-86653689

Email: zixin@zxbicycle.com

Http: www.zxbicycle.com



ZIXIN E-BIKE

2023

www.zxbicycle.com

ABOUT US

Ningbo ZiXin bicycle Industry Co.,Ltd. is a more than ten-year experienced manufacturer with frame factory, painting factory and assembling factory, which is located in Ningbo, China, 20kms from Ningbo port, 25km from LiShe international Airport, belongs to two hours' Shanghai economic circle. We are specialized in the bicycle research and development, production, sales and service. Furthermore, we currently have experienced vehicle research staff and quality inspection staff.

We are producing four wheel electric bicycle series, three wheel electric bicycle series, two wheel electric bicycle series. We innovate and design more and more new models to meet different demand of people in the cities and regions of the world. OEM & ODM is welcomed.

We are always trying our best to cooperate with every customer from the global market. Our goal is to help customers to win the market. We are here to serve our honored customers with our qualified & innovative product. We are partner, we are family.





COMPANY PATENTS AND CERTIFICATION



COMPANY PATENTS AND CERTIFICATION

Cargo E bike

Cargo E bike

ZS1-Plus

E-CARGO

5

1X7

20"

MODE
DISPLAY

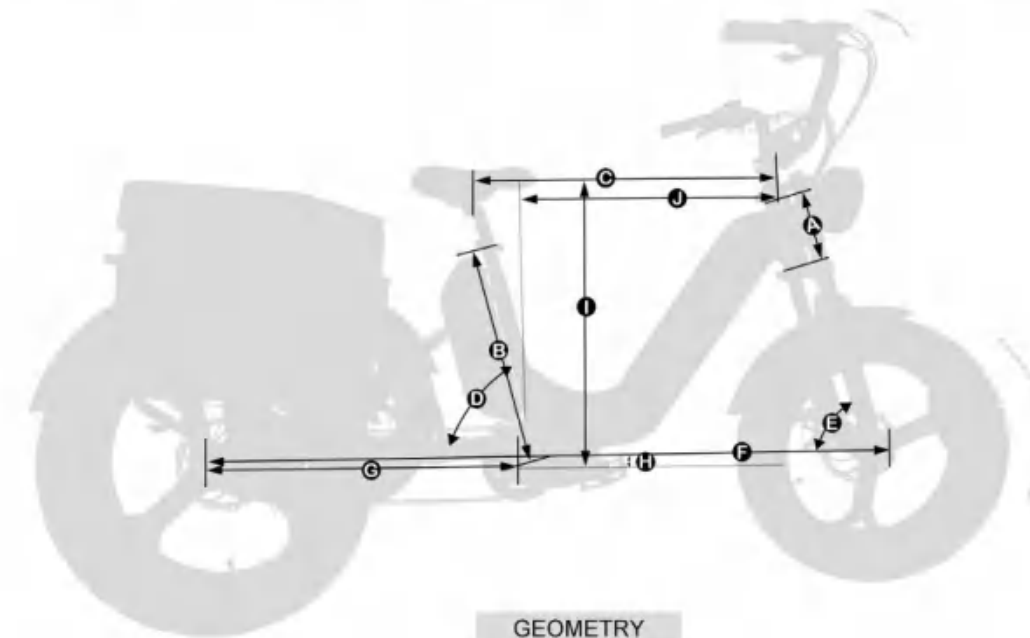
ALU
SUPREME 5
FRAME

SPEED

WHEEL



Battery:	48V11.6/11.6Ah	Frame:	Alloy	size:	20"
Motor:	48V500W	Fork:	Alloy	Carton size:	155*86*75Cm
Display:	LCD	Derailleur:	Shimano 7speed	N.W.:	43Kg
Sensor:	PAS	Brakes:	Disc brake	Container QTY:	21units/20'GP 45units/40'HQ
Charger:	48V	Crank:	Alloy	Capacity:	2000pcs/Month



GEOMETRY

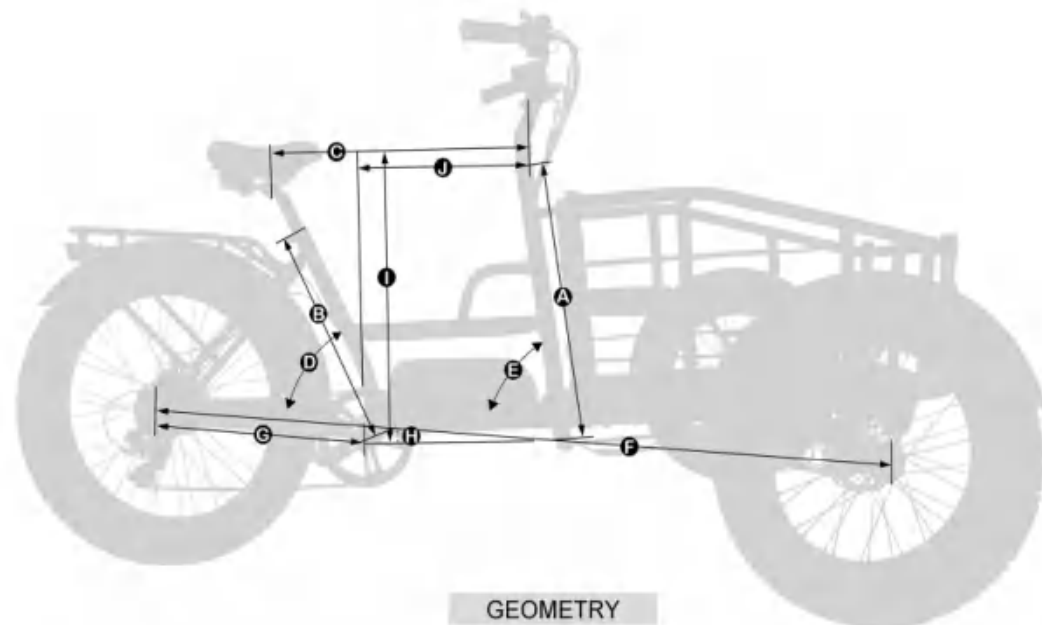
A	HT(mm)	150	F	WB(mm)	1145
B	ST(mm)	490	G	RC (mm)	590
C	TT (mm)	650	H	BB (mm)	40
D	SA (°)	73	I	STACK(mm)	485
E	HA (°)	71	J	REACH(mm)	500



MODE DISPLAY ALU SUPREME 5 FRAME SPEED WHEEL



Battery:	48V17.4Ah	Frame:	Alloy	size:	20/26"
Motor:	48V500-1000W	Fork:	Alloy	Carton size:	150*27*85cm 89*76*60Cm
Display:	LCD	Derailleur:	Shimano 7speed	N.W.:	50Kg
Sensor:	PAS	Brakes:	Disc brake	Container QTY:	45units/20'GP 90units/40'HQ
Charger:	48V	Crank:	Alloy	Capacity:	2000pcs/Month



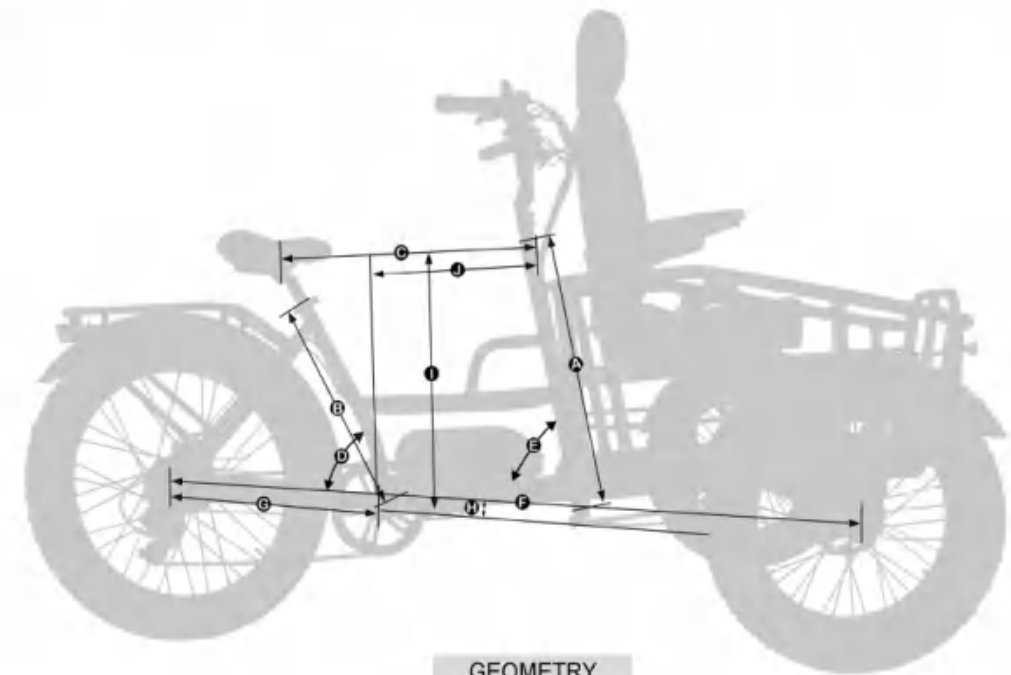
GEOMETRY

A	HT(mm)	620	F	WB(mm)	1500
B	ST(mm)	500	G	RC (mm)	500
C	TT (mm)	620	H	BB (mm)	70
D	SA (°)	73	I	STACK(mm)	590
E	HA (°)	85	J	REACH(mm)	410

MODE DISPLAY ALU SUPREME 5 FRAME SPEED WHEEL



Battery:	48V20.3Ah	Frame:	Alloy	size:	20/26"
Motor:	48V500-1000W	Fork:	Alloy	Carton size:	150*27*85cm 89*76*60Cm
Display:	LCD	Derailleur:	Shimano 7speed	N.W.:	50Kg
Sensor:	PAS	Brakes:	Disc brake	Container QTY:	45units/20'GP 90units/40'HQ
Charger:	48V	Crank:	Alloy	Capacity:	2000pcs/Month



GEOMETRY

A	HT(mm)	620	F	WB(mm)	1500
B	ST(mm)	500	G	RC (mm)	500
C	TT (mm)	620	H	BB (mm)	70
D	SA (°)	73	I	STACK(mm)	590
E	HA (°)	85	J	REACH(mm)	410

MODE DISPLAY

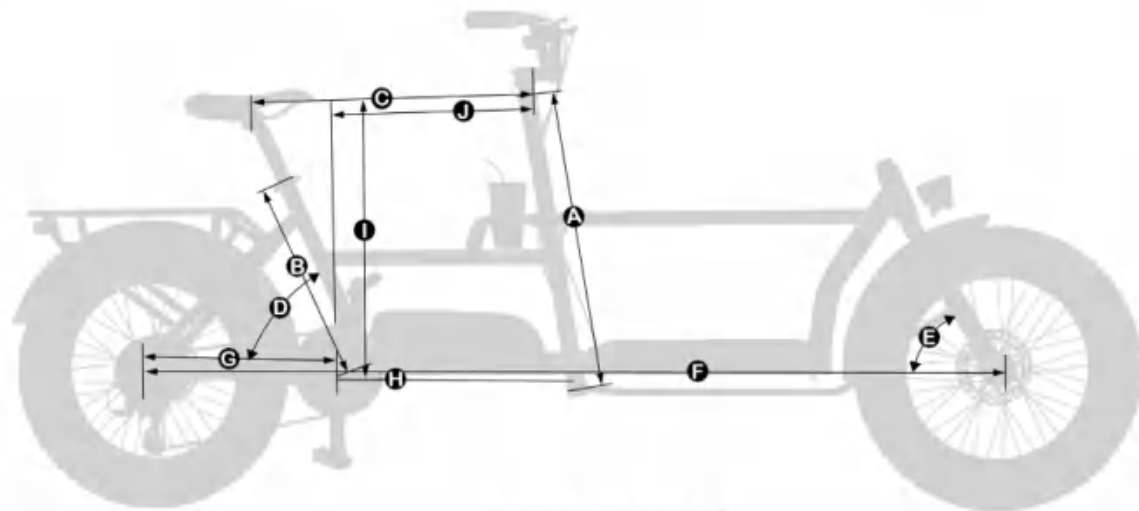
ALU SUPREME 5 FRAME

SPEED

WHEEL



Battery:	48V17.4Ah	Frame:	Alloy	size:	20"
Motor:	48V500W	Fork:	Alloy	Carton size:	120*50*80Cm
Display:	LCD	Derailleur:	Shimano 7speed	N.W.:	35Kg
Sensor:	PAS	Brakes:	Disc brake	Container QTY:	50units/20'GP 100units/40'HQ
Charger:	48V	Crank:	Alloy	Capacity:	2000pcs/Month



GEOMETRY

A	HT(mm)	620	F	WB(mm)	1700
B	ST(mm)	420	G	RC (mm)	420
C	TT (mm)	585	H	BB (mm)	30
D	SA (°)	73	I	STACK(mm)	410
E	HA (°)	85	J	REACH(mm)	510

MODE DISPLAY

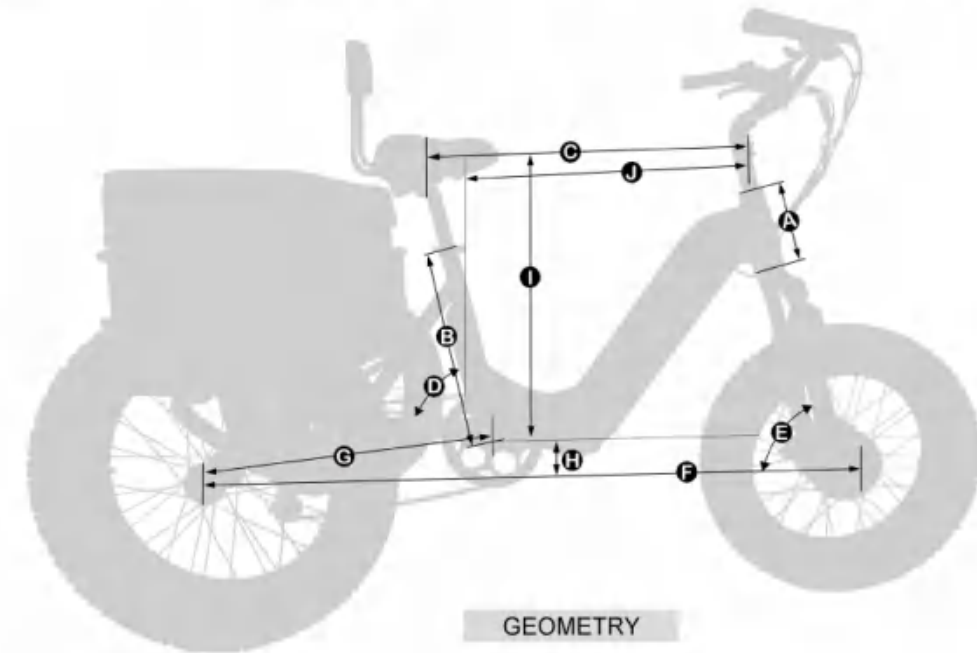
ALU SUPREME 5 FRAME

SPEED

WHEEL



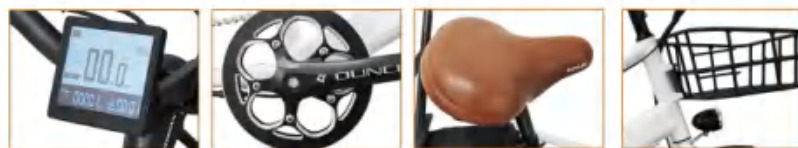
Battery:	48V11.6Ah	Frame:	Alloy	size:	20"
Motor:	48V500W	Fork:	Alloy	Carton size:	155*86*75Cm
Display:	LCD	Derailleur:	Shimano 7speed	N.W.:	40.8Kg
Sensor:	PAS	Brakes:	Disc brake	Container QTY:	30units/20'GP 60units/40'HQ
Charger:	48V	Crank:	Alloy	Capacity:	2000pcs/Month



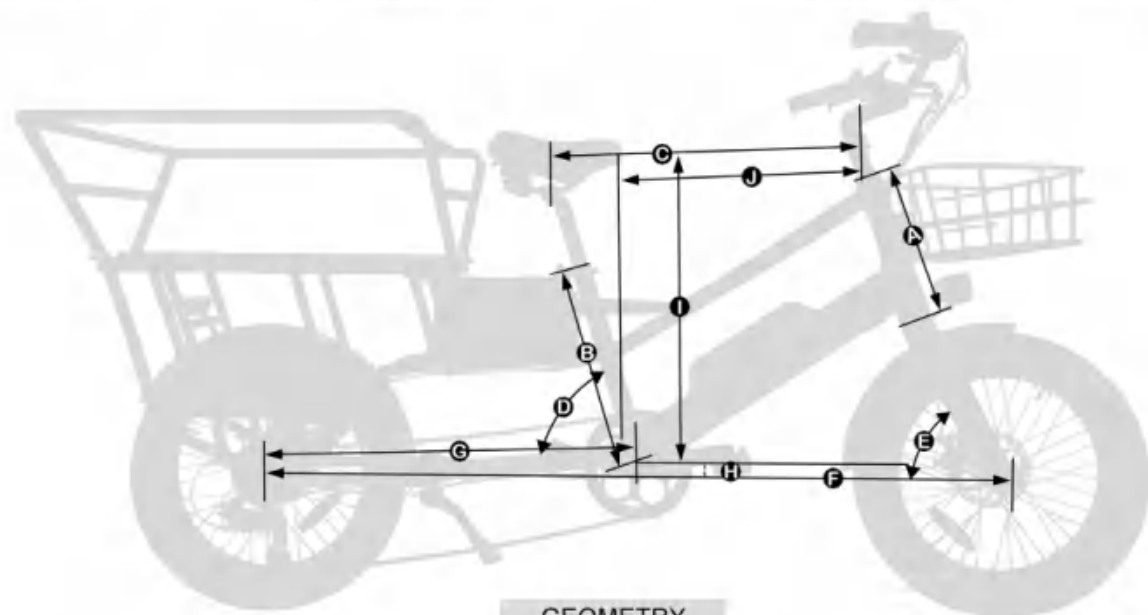
GEOMETRY

A	HT(mm)	150	F	WB(mm)	1145
B	ST(mm)	490	G	RC (mm)	590
C	TT (mm)	650	H	BB (mm)	40
D	SA (°)	73	I	STACK(mm)	485
E	HA (°)	71	J	REACH(mm)	500

MODE DISPLAY ALU SUPREME 5 FRAME SPEED WHEEL



Battery:	48V11.6Ah	Frame:	Alloy	size:	20"
Motor:	48V500W	Fork:	Alloy	Carton size:	175*28*80Cm
Display:	LCD	Derailleur:	Shimano 7speed	N.W.:	29.4Kg
Sensor:	PAS	Brakes:	Disc brake	Container QTY:	80units/20'GP 170units/40'HQ
Charger:	48V	Crank:	Alloy	Capacity:	2000pcs/Month



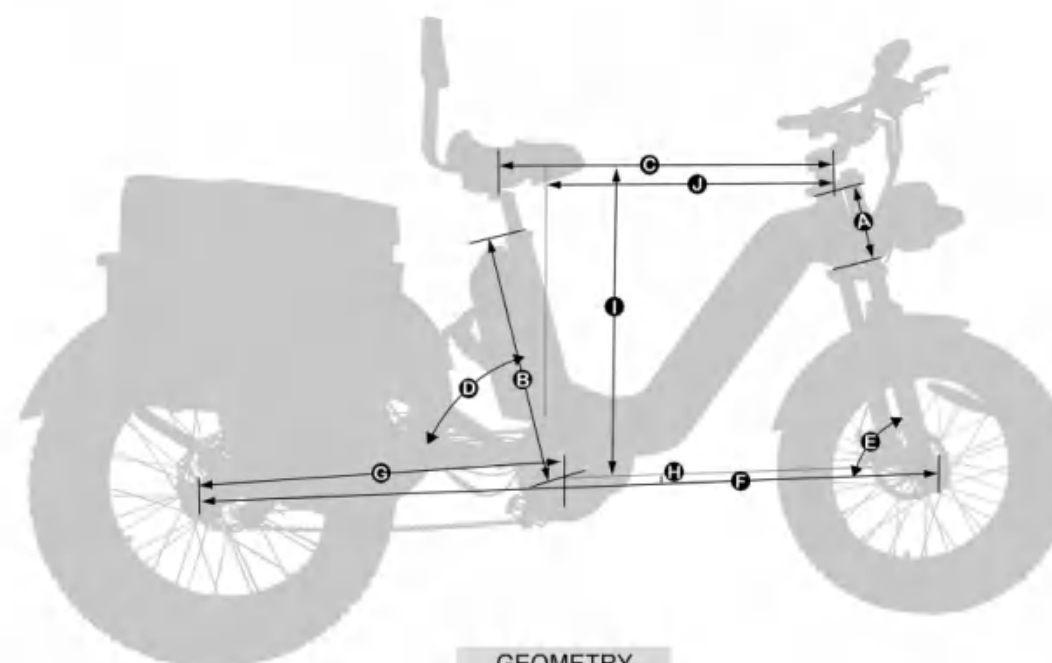
GEOMETRY

A	HT(mm)	285	F	WB(mm)	1145
B	ST(mm)	400	G	RC (mm)	680
C	TT (mm)	620	H	BB (mm)	30
D	SA (°)	73	I	STACK(mm)	555
E	HA (°)	71	J	REACH(mm)	455

MODE DISPLAY ALU SUPREME 5 FRAME SPEED WHEEL



Battery:	48V11.6/11.6Ah	Frame:	Alloy suspension	size:	20"
Motor:	48V500W	Fork:	Alloy	Carton size:	155*86*75Cm
Display:	LCD	Derailleur:	Shimano 7speed	N.W.:	44Kg
Sensor:	PAS	Brakes:	Disc brake	Container QTY:	21units/20'GP 45units/40'HQ
Charger:	48V	Crank:	Alloy	Capacity:	2000pcs/Month



GEOMETRY

A	HT(mm)	150	F	WB(mm)	1145
B	ST(mm)	490	G	RC (mm)	590
C	TT (mm)	650	H	BB (mm)	40
D	SA (°)	73	I	STACK(mm)	485
E	HA (°)	71	J	REACH(mm)	500

Cargo E bike

ZS7

E-CARGO

5

1X7

20"

MODE DISPLAY

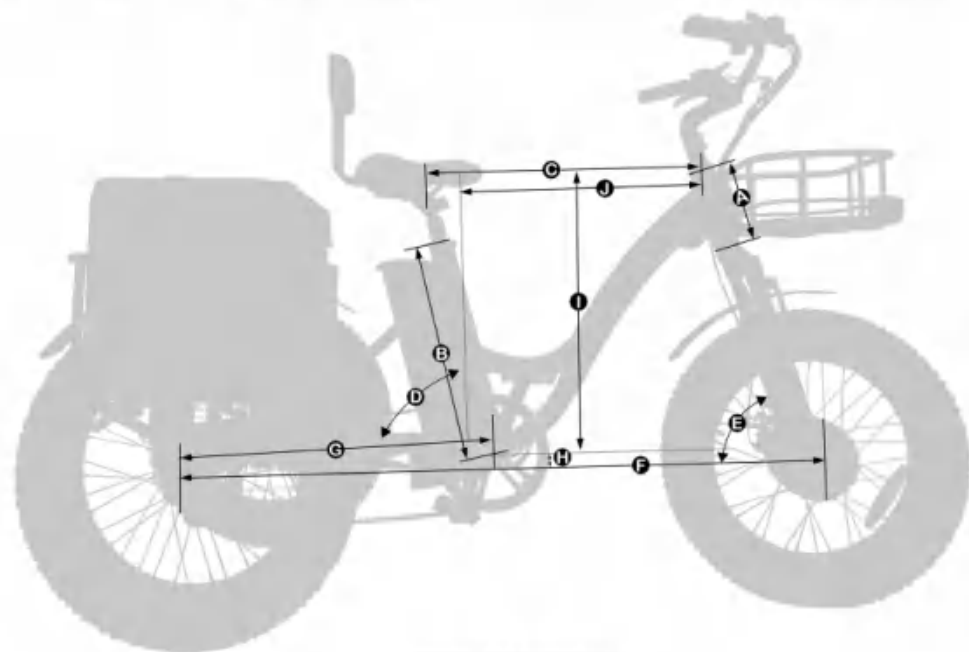
ALU SUPREME 5 FRAME

SPEED

WHEEL



Battery:	48V14.5Ah	Frame:	Alloy	size:	20"
Motor:	48V500W	Fork:	Alloy	Carton size:	155*86*75Cm
Display:	LCD	Derailleur:	Shimano 7speed	N.W.:	40Kg
Sensor:	PAS	Brakes:	Disc brake	Container QTY:	21units/20'GP 45units/40'HQ
Charger:	48V	Crank:	Alloy	Capacity:	2000pcs/Month



GEOMETRY

A	HT(mm)	150	F	WB(mm)	1145
B	ST(mm)	490	G	RC (mm)	590
C	TT (mm)	650	H	BB (mm)	40
D	SA (°)	73	I	STACK(mm)	485
E	HA (°)	71	J	REACH(mm)	500

Cargo E bike

ZS8

E-CARGO

5

1X7

20"

MODE DISPLAY

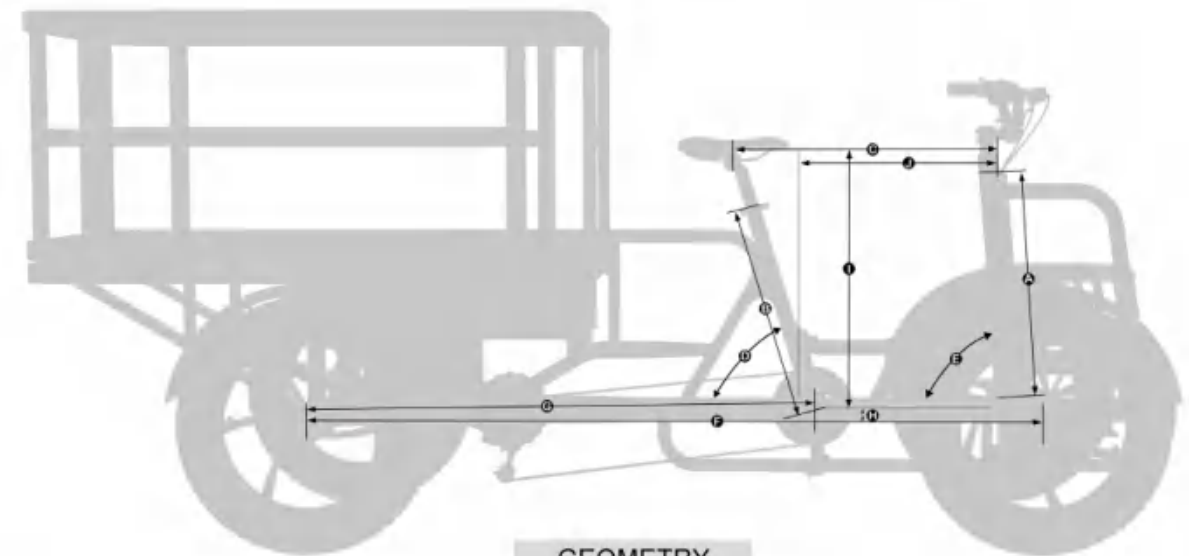
ALU SUPREME 5 FRAME

SPEED

WHEEL



Battery:	48V50Ah	Frame:	Alloy	size:	20"
Motor:	48V1200W	Fork:	Alloy	Carton size:	266*110*105Cm
Display:	LCD	Derailleur:	Shimano 7speed	N.W.:	70Kg
Sensor:	PAS	Brakes:	Disc brake	Container QTY:	18units/40'HQ
Charger:	48V	Crank:	Alloy	Capacity:	2000pcs/Month

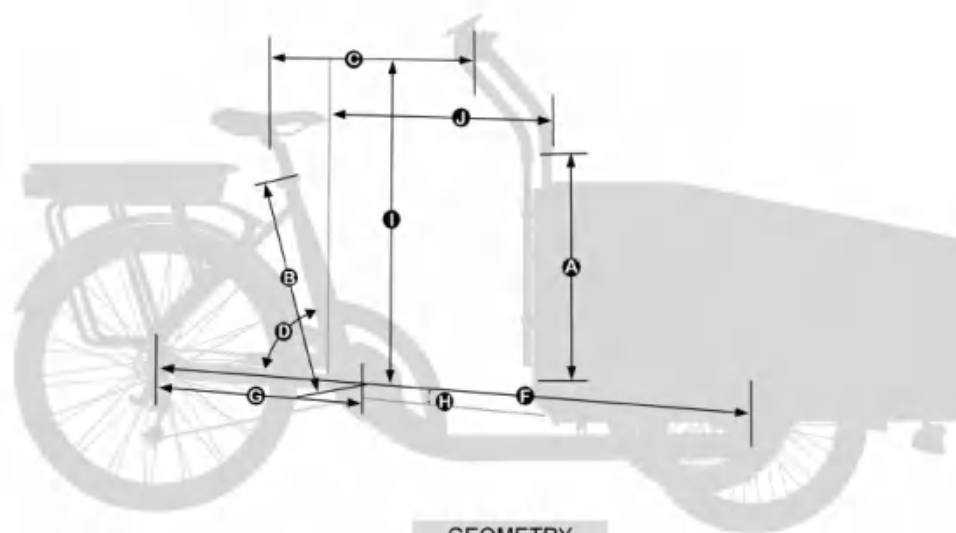


GEOMETRY

A	HT(mm)	675	F	WB(mm)	1700
B	ST(mm)	490	G	RC (mm)	735
C	TT (mm)	620	H	BB (mm)	20
D	SA (°)	73	I	STACK(mm)	605
E	HA (°)	85	J	REACH(mm)	426

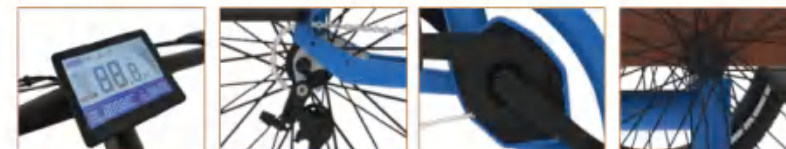


Battery:	36V14.5Ah	Frame:	Alloy	size:	26"
Motor:	36V250W	Fork:	ON	Carton size:	150*27*89CM 89*76*60CM
Display:	LCD	Derailleur:	Shimano 7speed	N.W.:	40Kg
Sensor:	PAS	Brakes:	Disc brake	Container QTY:	45units/20'GP 90units/40'HQ
Charger:	36V	Crank:	Alloy	Capacity:	2000pcs/Month

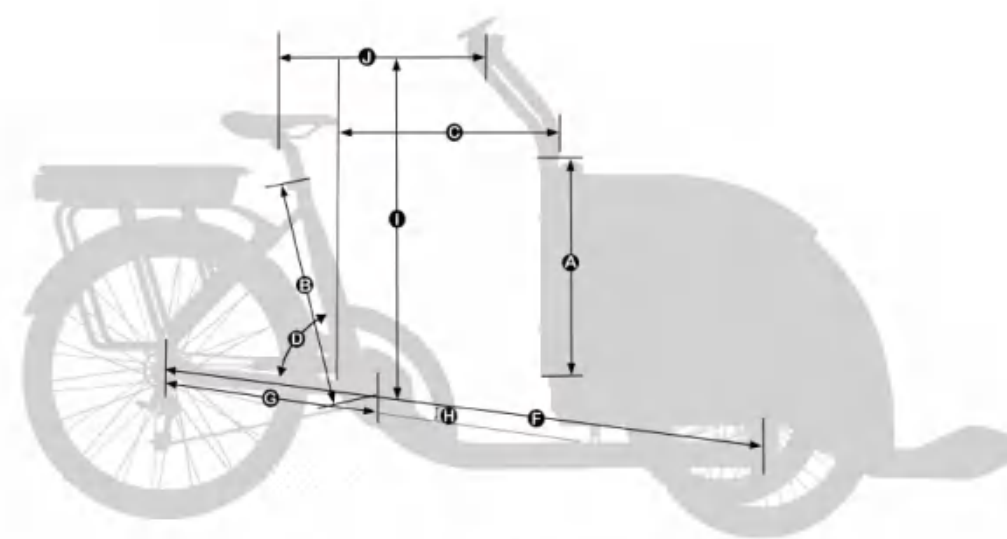


GEOMETRY

A	HT(mm)	128	F	WB(mm)	1350
B	ST(mm)	490	G	RC (mm)	481
C	TT (mm)	610	H	BB (mm)	35
D	SA ()	73	I	STACK(mm)	440
E	HA ()	0	J	REACH(mm)	450



Battery:	36V14.5Ah	Frame:	Alloy	size:	26"/20
Motor:	36V250W	Fork:	NO	Carton size:	150*27*85*CM 89*76*60*CM
Display:	LCD	Derailleur:	Shimano 7speed	N.W.:	40Kg
Sensor:	Torque	Brakes:	Disc brake	Container QTY:	45units/20'GP 90units/40'HQ
Charger:	36V	Crank:	Alloy	Capacity:	2000pcs/Month



GEOMETRY

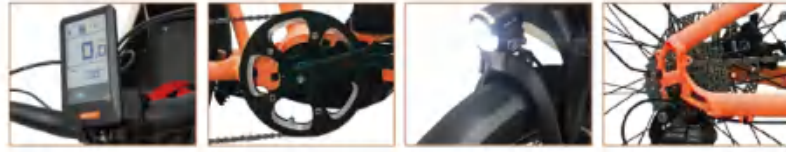
A	HT(mm)	128	F	WB(mm)	1350
B	ST(mm)	490	G	RC (mm)	481
C	TT (mm)	610	H	BB (mm)	35
D	SA ()	73	I	STACK(mm)	440
E	HA ()	0	J	REACH(mm)	450

MODE
DISPLAY

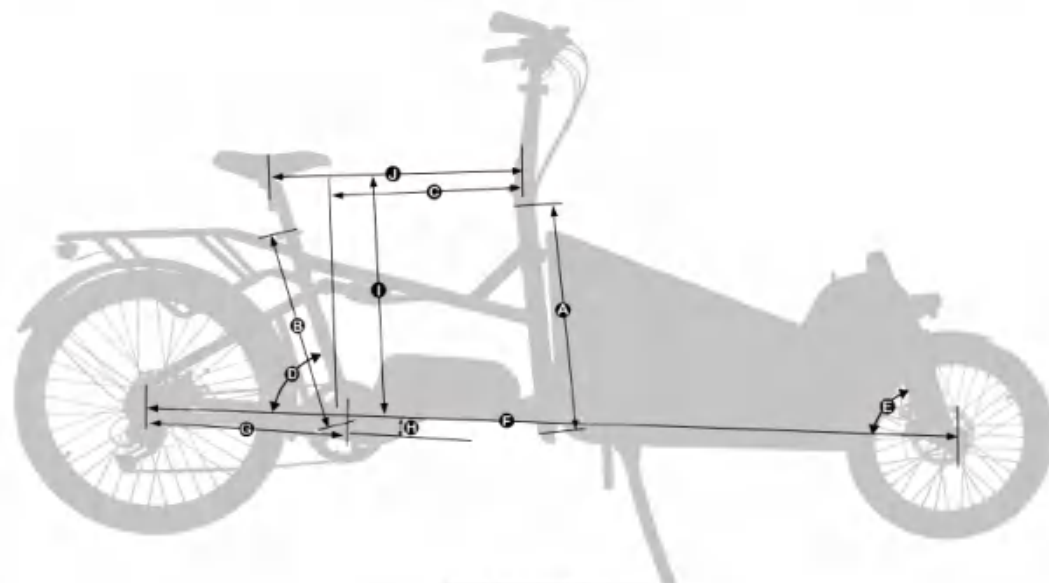
ALU
SUPREME 5
FRAME

SPEED

WHEEL



Battery:	36V14.5Ah	Frame:	Alloy	size:	26"/20"
Motor:	36V250W	Fork:	Alloy	Carton size:	150*27*85CM 89*76*60CM
Display:	LCD	Derailleur:	Shimano 9speed	N.W.:	34.5Kg
Sensor:	Torque	Brakes:	Disc brake	Container QTY:	45units/20'GP 90units/40'HQ
Charger:	36V	Crank:	Alloy	Capacity:	2000pcs/Month



GEOMETRY

A	HT(mm)	660	F	WB(mm)	2045
B	ST(mm)	480	G	RC (mm)	495
C	TT (mm)	590	H	BB (mm)	35
D	SA ()	66	I	STACK(mm)	620
E	HA ()	74	J	REACH(mm)	450

MODE
DISPLAY

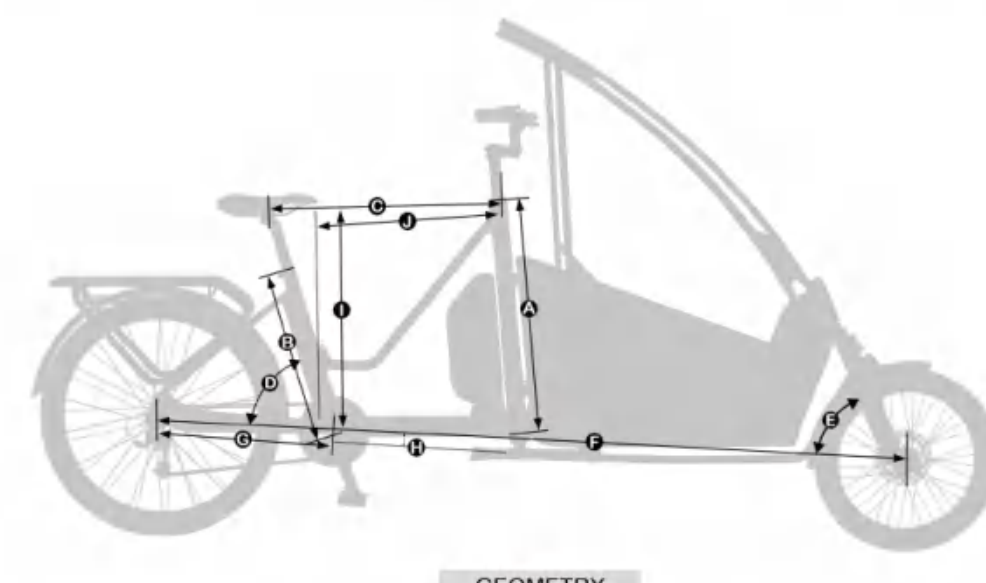
ALU
SUPREME 5
FRAME

SPEED

WHEEL



Battery:	36V14.5Ah	Frame:	Alloy	size:	26"/20"
Motor:	36V250W	Fork:	Alloy	Carton size:	150*27*85CM 89*76*60CM
Display:	LCD	Derailleur:	Shimano 9speed	N.W.:	35Kg
Sensor:	PAS	Brakes:	Disc brake	Container QTY:	45units/20'GP 90units/40'HQ
Charger:	36V	Crank:	Alloy	Capacity:	2000pcs/Month

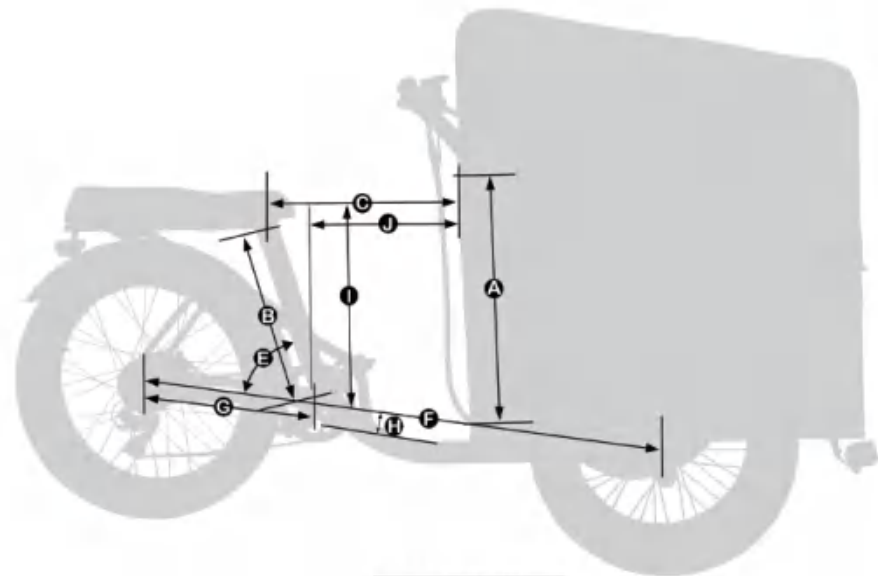


GEOMETRY

A	HT(mm)	560	F	WB(mm)	2045
B	ST(mm)	480	G	RC (mm)	495
C	TT (mm)	590	H	BB (mm)	35
D	SA ()	66	I	STACK(mm)	515
E	HA ()	74	J	REACH(mm)	460



Battery:	48V14.5Ah	Frame:	Alloy	size:	26/20"
Motor:	48V500W	Fork:	no	Carton size:	150*27*85CM 89*76*60CM
Display:	LCD	Derailleur:	Shimano 9speed	N.W.:	45Kg
Sensor:	PAS	Brakes:	Disc brake	Container QTY:	45units/20'GP 90units/40'HQ
Charger:	48V	Crank:	Alloy	Capacity:	2000pcs/Month



GEOMETRY

A	HT(mm)	128	F	WB(mm)	1350
B	ST(mm)	490	G	RC (mm)	481
C	TT (mm)	610	H	BB (mm)	35
D	SA (°)	0	I	STACK(mm)	440
E	HA (°)	73	J	REACH(mm)	450